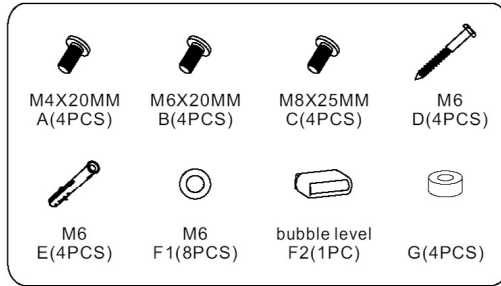
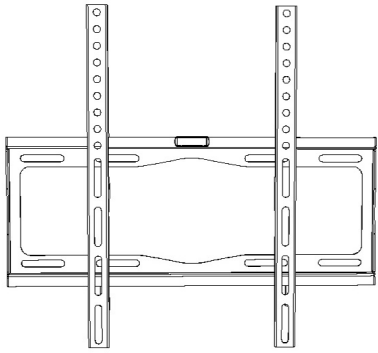
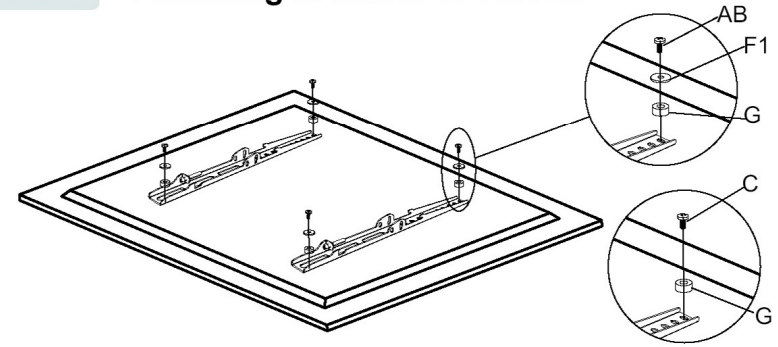


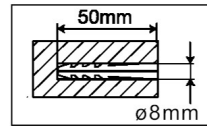
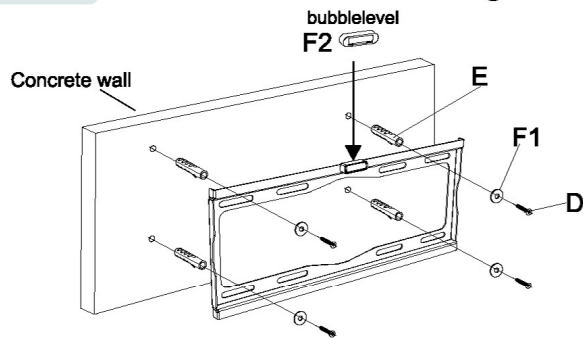
PITCH 400



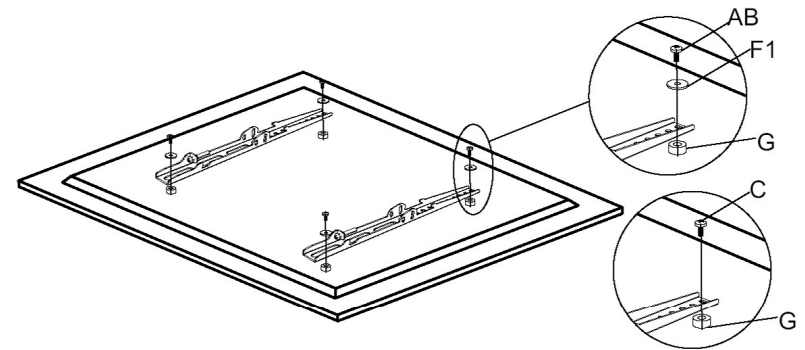
STEP2A Attaching brackets to screen



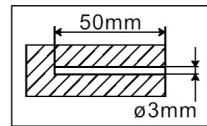
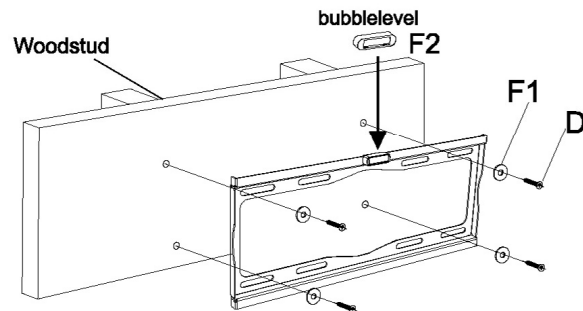
STEP1A Solid concrete mounting



STEP2B For TVs with a curved back or obstruction



STEP1B WoodStud mounting



STEP3 Hang the TV onto the wall plate

